

10 YEAR WARRANTY



Not all products are qualified on the DLC® OPL. To view our DLC® qualified products, please consult the DLC® Qualified Products List at [www.designlights.org/qpl](http://www.designlights.org/qpl).

POWERED BY  
**SYNAPSE**

Project: \_\_\_\_\_

Prepared by: \_\_\_\_\_

Type: \_\_\_\_\_

Date: \_\_\_\_\_

400W (54,000 lm)  
500W (67,500 lm)  
600W (88,000 lm)  
800W (108,000 lm)  
1000W (135,000 lm)  
1200W (162,000 lm)

**ORDERING INFORMATION**

Sample SKU: NOVA2-800-50-U-D-3-ID

Series	Wattage	CCT	Input Voltage	Controls	Distribution	Driver Option	CRI
NOVA2							
NOVA2	400 - 400W 500 - 500W 600 - 600W 800 - 800W 1000 - 1000W 1200 - 1200W	57 - 5700K 50 - 5000K 40 - 4000K	U - 100-277VAC H - 277-480VAC	D - 0-10V Dimming Do - Non-Dimming D1 - SYNAPSE Wireless Control System DIM4-U - Dimulator 120-277 VAC w/7 pin DIM4-H - Dimulator 480VAC w/7 pin	3 - NEMA3 (H2V3) 4 - NEMA4 (H4V4) 5 - NEMA5 (H5V6) 6 - NEMA6 (H6V6) 7 - NEMA7 (H7V6)	ID - Integrated Driver RD - Remote Driver†	70CRI - Standard 80CRI - Option 90CRI - Option

**Accessories**

- NOVA2-LG (Laser Guide)
- NOVA2-FO (Field Adjustable Lumen Output)
- IP65EM (Consult with Sales Representative for available emergency driver wattage)
- NOVA2-PW (Pre-Wire Connector)

\*Specify the length for the DC cord (Cord between the driver to the LED module) for remote driver.  
Max Length: 100'

\*MOQ and longer lead times may apply, please contact customer service for more information.

**TECHNICAL SPECIFICATIONS**

**CONSTRUCTION**

**IP/Enclosure Rating:**  
IP67 Enclosure/IK08 Impact/  
3G Vibration Rating (Per ANSI/IEEE C136.31)

**Operating Temperature:**  
-40°F-131°F

**Housing:**  
A383 (ADC 12) die-cast aluminum

**Driver Compartment:**  
Die-cast aluminum/NEMA4X enclosure

**Optics:**  
Tempered glass diffuser and injection molded  
UV resistance PC modular optic

**Wire Lead:**  
• 16/3, 10' SOW (600V)

**ELECTRICAL**

**Input Voltage:**  
• 100-277VAC  
• 277-480VAC

**THD:**  
<20%

**Power Factor:**  
>0.95

**Surge Protection:**  
40kV/20kA:  
Compliant With:  
- ANSI C136.2-2015 Extreme  
- ANSI C82.77-5-2015 High Exposure  
- IEEE C62.41.2 Location Category C High Exposure

**CONTROLS/DIMMING**

- Non-Dimming
- 0-10V Dimming
- Dimulator Dimming Photocontrol
- SYNAPSE Wireless Control System

**ENGINE & OPTICAL**

**Available NEMA Distribution:**  
NEMA3, NEMA4, NEMA5, NEMA6, NEMA7

**CRI/TLCI:**  
• CRI>70 (Standard)  
• CRI>80 (Optional)\*  
• CRI>90 (Optional)\*  
[TLCI is option available upon request]

**Available CCT:**  
4000K, 5000K, 5700K

**Projected L70:**  
>100,000 hrs

**WARRANTY**

10 Year Warranty  
25 Year Warranty Option Available  
See warranty documentation for more information.

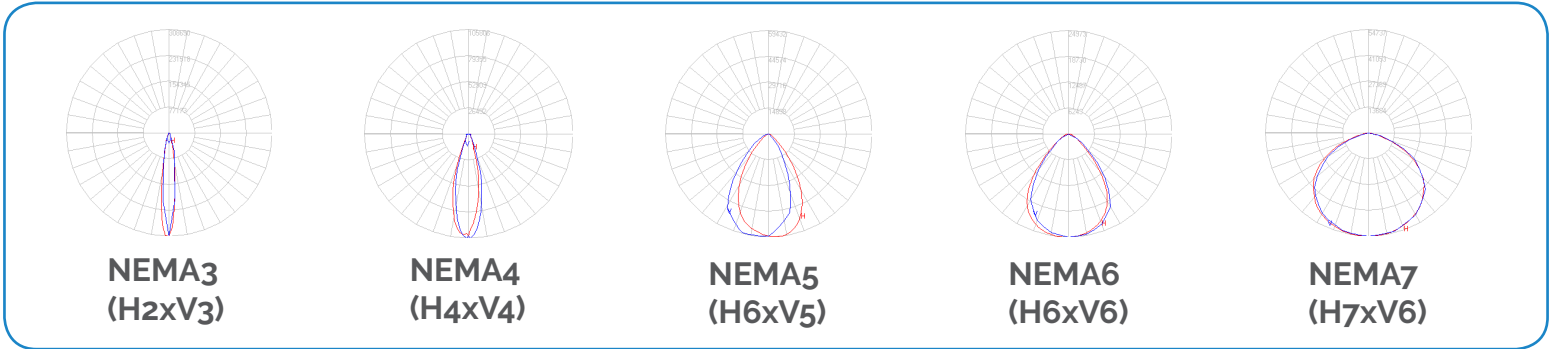
**PERFORMANCE DATA**

Wattage	400W	500W	600W	800W	1000W	1200W
Delivered Lumens	53400lm~63900lm	65000lm~75000lm	76700lm~88700lm	11300lm~118500lm	130900lm~139000lm	150000lm~159800lm
System Efficacy	UP to 135 lm/W					

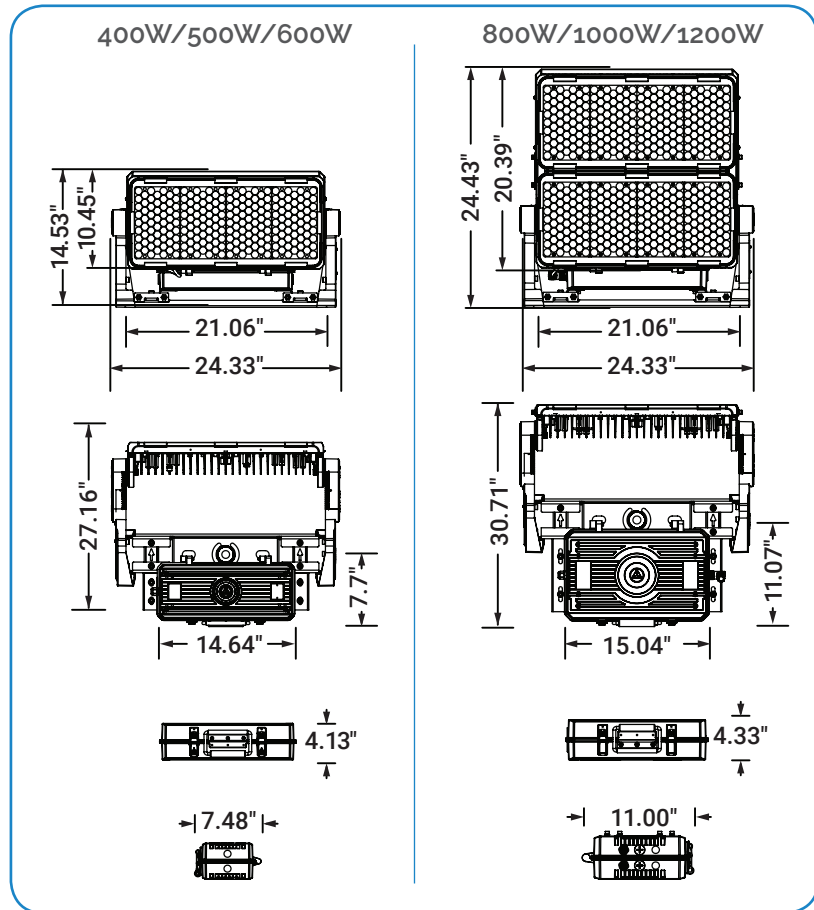
Typical delivered lumen data is approximate. Actual lumens may vary due to installation environment, NEMA Distribution, and CRI. Please See IES Files

**NEMA DISTRIBUTION**

\*IESNA LM-63 IES Available upon request



**DIMENSIONS**



**ELECTRICAL LOAD**

Wattage (W)	Input Voltage					
	120V	208V	240V	277V	347V	480V
	Current (A)					
400	3.3	1.9	1.7	1.4	1.5	0.83
500	4.2	2.4	2.1	1.8	2.0	1.1
600	5.0	2.9	2.5	2.1	2.4	1.25
800	6.7	3.8	3.3	2.9	3.3	1.7
1000	8.3	4.8	4.2	3.6	4.0	2.0
1200	10.0	5.8	5.0	4.3	4.9	2.5

**EPA RATING (ft<sup>2</sup>)**

Wattage (W)	Front	Side
400/500/600	1.90	0.52
800/1000/1200	3.60	0.75

Front (Visor Included) and Side (Visor Included); IDC (Drag Coefficient)= 1.21

**WEIGHT (lbs)**

Wattage (W)	Weight (lb.)	
	Housing + Bracket	Driver
400-600	31	12
800-1200	54	23

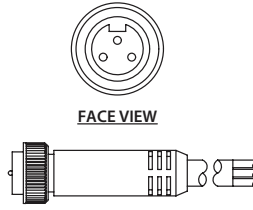
ACCESSORIES



Visor Hood  
[Included]



Laser Guide  
[NOVA2-LG]



Pre-Wire Connector  
[NOVA2-PW]



IP65 Emergency  
Battery Backup  
[IP65EM]



7 Pin Receptacle &  
Dimulator  
[DIM4-U or DIM4-HI]

CONTROLS

Dimulator  
Stand-Alone LED Dimming Photocontrol



Features

- Factory preset dimming - no selector switch
- 10 Year Warranty
- Compliant with ANSI C136.41 receptacle
- Optional constant all night dimming
- Adaptive lighting control with progressive intensities
- 40kV Surge Protection
- High voltage version available
- Advance time/date algorithm auto-adjusts for daylight savings
- Automatically synchronize to local time

Bat Eye Technology

- Advanced light sensor, only reacts to sunlight
- Immune to LED and other artificial light
- No false activation (no cycling)
- May be oriented in any direction



Patent #9210746

POWERED BY



- Future-Proof: Integral Wireless Access Node
- Adaptable Deployment – Offline or Cloud-Connected
- Web-Browser or App Based Management
- Multiple Zones, Behaviors, Events, and Schedules
- LTE Cellular Connectivity – No Internet Required
- Professional Commissioning and After-Sales Support



Integrated Node



Central Control Base  
Station



WiFi or LAN Network  
with browser base  
control interface



Cloud Control with  
Verizon 4G LTE  
(Optional)