



CASE STUDY

# CHENEY STADIUM

Multi-Purpose Sports Venue

## CHENEY STADIUM INTRODUCTION

Modern sports lighting has come a long way since early electric lights when games had to be stopped early due to darkness. LED lighting innovations have contributed to changing the games we love by helping to ensure safety for the players and a thrill for the fans cheering their teams into the night.

Located in Tacoma, Washington, Cheney Stadium is a multi-purpose, 6,500-fan capacity stadium that hosts professional baseball and soccer games. Cheney Stadium is home to the Tacoma Rainiers of the Pacific Coast Baseball League and the Tacoma Defiance of the Major League Soccer Next Pro. In 2018, TGS Sports was chosen in partnership with North Coast Electric and SeaTac Lighting & Controls to provide an advanced lighting and wireless control system solution to meet the needs of both sports.



## THE CHALLENGE

Outdoor baseball and soccer fields need to consider environmental factors such as neighborhood disruption limits and efficient use of lighting throughout the night. Players require optimum lighting levels and sufficient coverage to have a clear focus of the baseball and soccer ball and a uniform field of vision.

Cheney Stadium required a state-of-the-art lighting system that would serve the needs of soccer and baseball games. Efficient, high-visibility lighting and the ability to program to accommodate different lighting needs for other events were necessary. Additionally, customization was essential. This would allow for an enhanced fan experience through unique lighting effects during exciting moments in the game. Lastly, the lighting needed to be focused on the stadium to guarantee minimal light spills and not disturb the neighboring community.

## AT A GLANCE

- Multi-Purpose Field Accommodations
- Efficiency
- High-Visibility
- Programmable
- Adaptable
- Exceptional Fan Experience



## CHENEY STADIUM MULTI-PURPOSE SPORTS VENUE

### THE SOLUTION

The Triton™ G2 LED sports lighter by TGS Sports offered the ideal solution. To complete the project, TGS Sports provided 98 1250W (168,000 lumens) fixtures and the Synapse wireless control system. This wireless network controls system ensured individual control, failure monitoring, instant on/off, on-demand dimming, and special events lighting. At the click of a button, staff could activate Dynamic Scenes that allowed the creation of a distinctive lighting experience through any tablet, smartphone, or other connected devices.

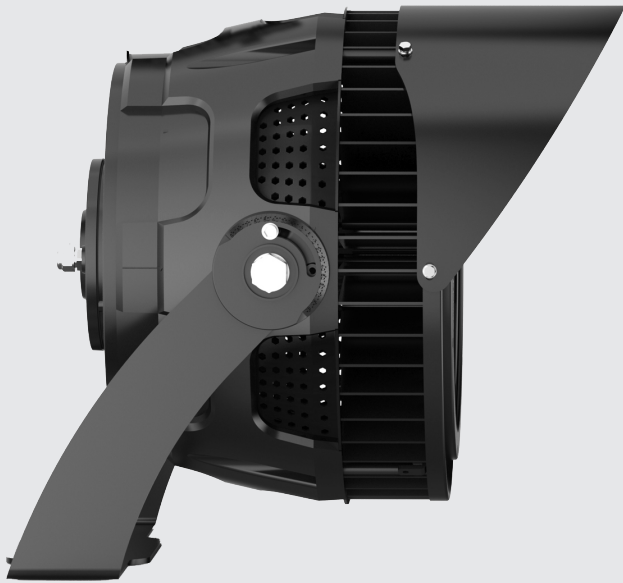


### ABOUT TRITON™ G2

This sport light allows players to have a precisely aimed, full-coverage, high-power illuminated baseball field or stadium. An optional visor accessory is available for controlled illumination and eliminating glare for broadcast quality, minimal community disruption, and spectator visual comfort. Wireless controls and complimentary layouts are available and recommended to manage energy usage and maximize luminaire foot candle coverage to reduce unnecessary expenditure.

Triton™ G2 LED luminaires are purpose-built and designed for the ideal illumination of almost any sporting venue. Multiple beam patterns and lumen packages offer a high degree of customization for indoor or outdoor venues, illuminating all the action in high-CRI that meets all HDTV broadcasting standards. Cutting-edge thermal management technology with 1070 cold-forged aluminum heat sinks ensures low operating temperatures and extremely long life.





## TRITON™ G2 FEATURES & BENEFITS

### SUPERIOR QUALITY

- **System Efficacy:** Up to 130 Lm/W
- **Dimming:** 0-10V Dimming, 1-10V Dimming, Optional DMX & DALI
- **Projected L70:** 100,000+ Hours
- **System Efficacy:** 100-277V, 240-480V (Optional)
  - IP66 All-Weather Rated Enclosure
  - Standard 20kV Extreme Surge Protection

### PROFESSIONAL GRADE

- Accurate & Vivid Color Reproduction
- Exceeds National Broadcasting Standards
- Synapse Wireless Control System

### COST-EFFICIENT

- Maintenance Free Operation for 10 years
- Reduces Energy Consumption by Over 75%
- Complimentary Lighting Layout

POWERED BY

**SYNAPSE**

### FEATURES

- **Future-Proof:** Integral Wireless Access Node
- **Adaptable Deployment:** Offline or Cloud-Connected
- Web-Browser or App Based Management
- Multiple Zones, Behaviors, Events & Schedules
- **LTE Cellular Connectivity:** No Internet Required
- Professional Commissioning & After-Sales Support

## THE RESULTS

The installation of Triton™ G2 transformed Cheney Stadium. This fixture provided high-quality illumination with a superior color rendering index (CRI) that improved the visibility for both players and spectators. Synapse provided flexibility and ease of use, enabling staff to control the lighting at the fixture level. The pre-programmed Dynamic Scenes delighted fans with an array of effects, including sparkle, pinwheel, blackout, and paparazzi, which added a new level of excitement to the games.

## THE CONCLUSION

The superior LED sports lighting system delivered by TGS Sports met the needs of both baseball and soccer games. The advanced lighting system transformed the fan experience. The installation of the Triton™ G2 provided exceptional visibility and exciting special effects. Triton™ G2 by TGS Sports was a game-changer, enhancing the fan experience and setting a new standard for sports lighting systems.

### TGS SPORTS

Cheney Stadium  
2018

